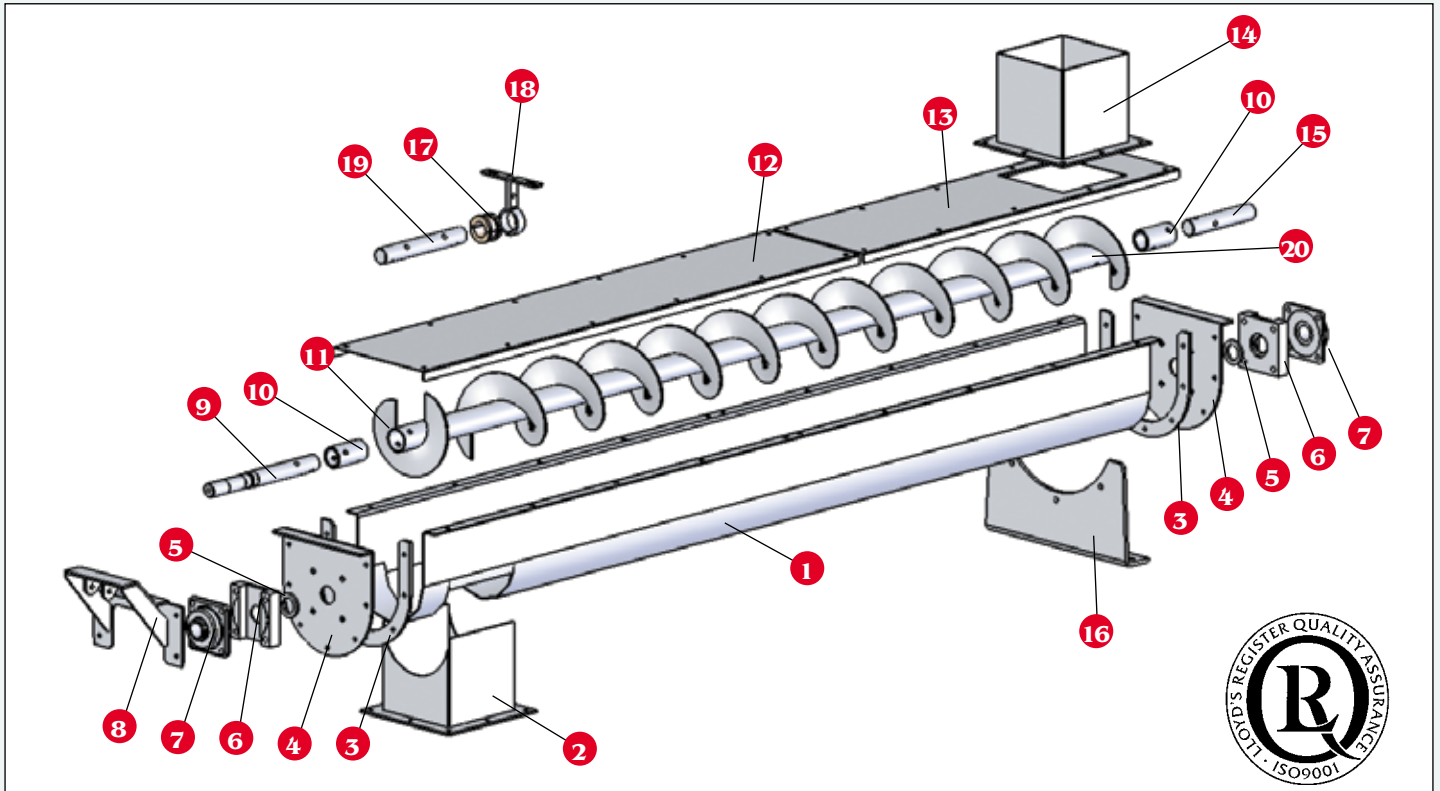


SCREW CONVEYOR COMPONENTS



ITEM	PART No.	DESCRIPTION	ITEM	PART No.	DESCRIPTION
1	MT	Trough	11	FLT	Flights
2	MOT	Outlet	12	ML	Lid
3	MEF	End Flange	13	ML	Lid c/w Inlet Cutout
4	MEP	End Plate	14	MIT	Inlet
5	MS	Shaft Seal	15	ME	Plain End Shaft
6	MBS	Bearing Spacer	16	MSB	Support Bracket
7	MEB	End Bearing	17	MHB	Hanger Bearing
8	MDB	Drive Support Bracket	18	MBB	Hanger Bearing Bracket
9	MDT	Drive Shaft-Thrust End	19	MH	Hanger Bearing Shaft
10	MB	End Bush	20	MP	Pipe

All component parts can be manufactured in mild or stainless steel.
Tubular casing and componentry also available.

JACMOR IS QUALITY